



深圳市晶峰达电子科技有限公司
东莞市琪芯电子有限公司

电话:13798528768, 0769-81555915 传真:85338927
邮箱:info@jfd-ic.com, QQ:1873357672
网址:www.jfd-ic.com 微信:dgqxdz
Skype:junfuyu 阿里旺旺:晶峰达电子科技

DL1202

FEATURE

- Single-chip CMOS construction
- Driver 12-digit triplexed LCD
- Colon display
- 32768Hz crystal frequency
- Debounce circuitry on switch input
- Touch tone signal
- On chip oscillator
- Single 3.0V battery operation
- Low power dissipation

FUNCTION

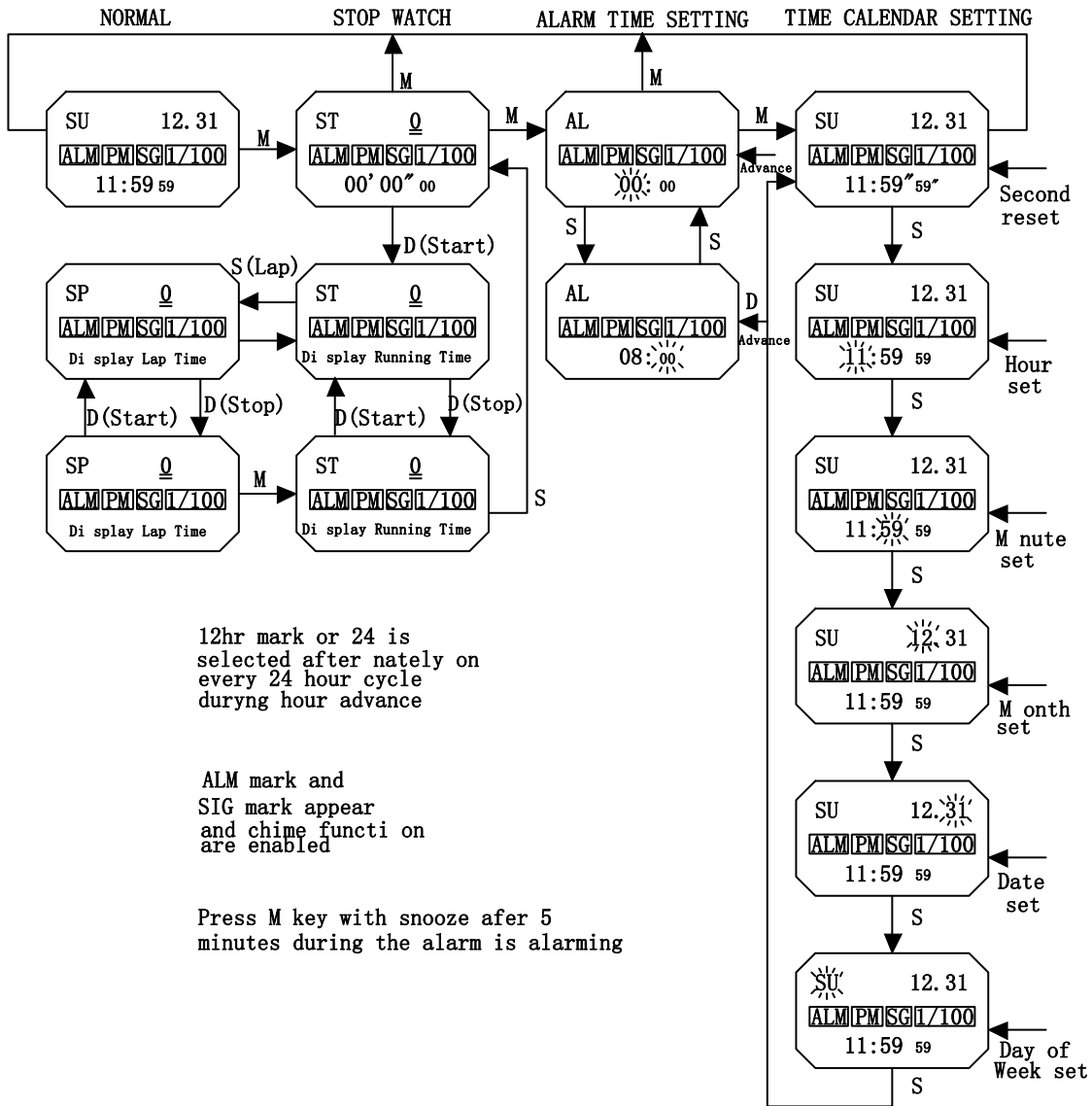
- 6 Functions: Mothe, Date, Day-of-week, Hour, Minute and second.
- 8-digit chronograph.
- Split function of chronograph.
- Use selectable 12-nour/24 hour format.
- 4-year calendar.
- One-touch correction of time error within ± 30 seconds.
- Fast advance for time and alarm time set.
- Chime on every hour, alarm, snooze.
- 4-switch sequential operation.

DESCRIPTION

The DL1202 is a CMOS digital 6-function watch integrated circuit with alarm, Snooze and chronograph function; designed for a 12-digit triplexed liquid crystal display.



SETTING SEQUENCE AND OPERATION



NOTE:

When switches S, M, D are pressed together all segment of LCD will be displayed and after released all digits of LCD will be released.

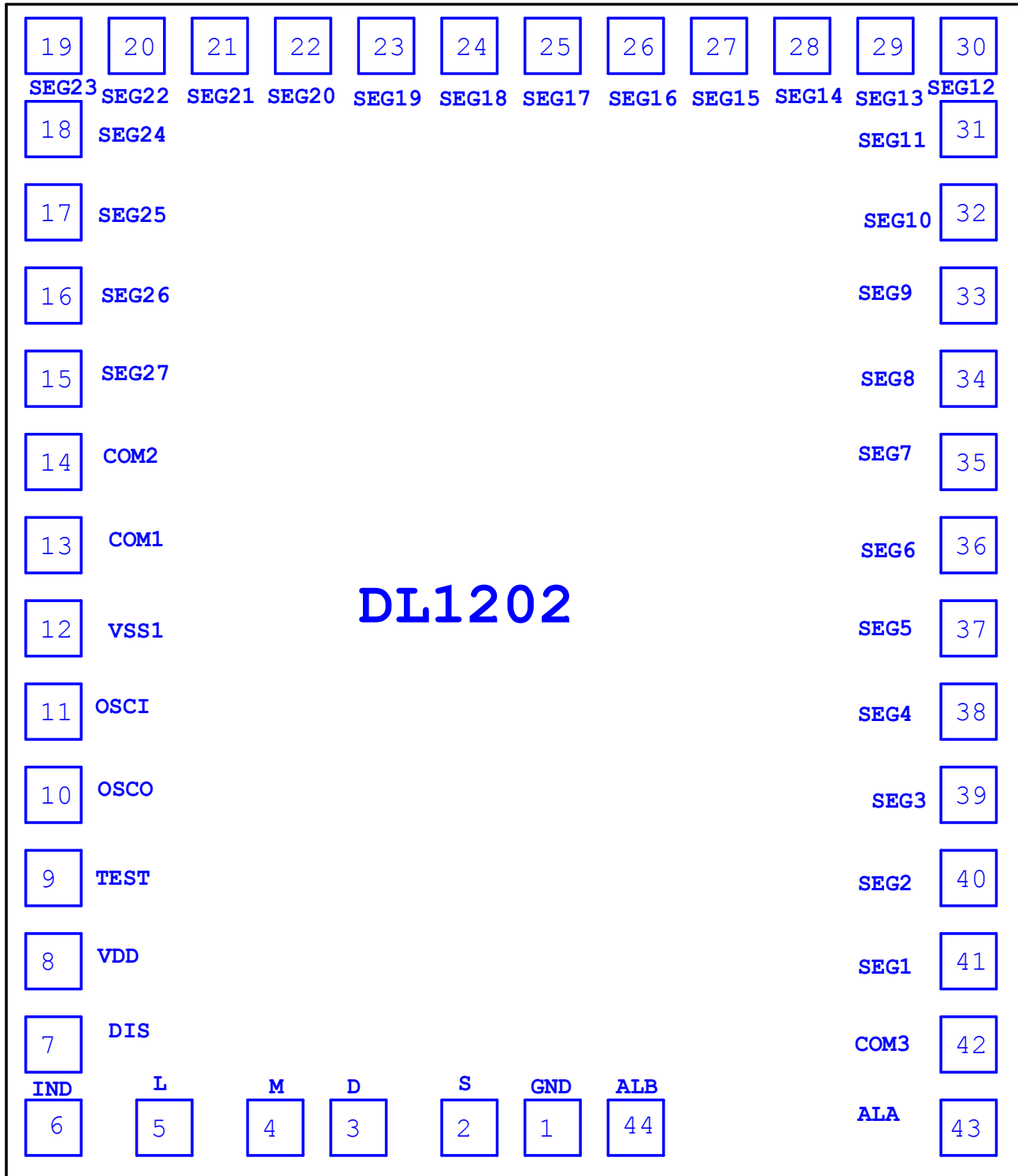


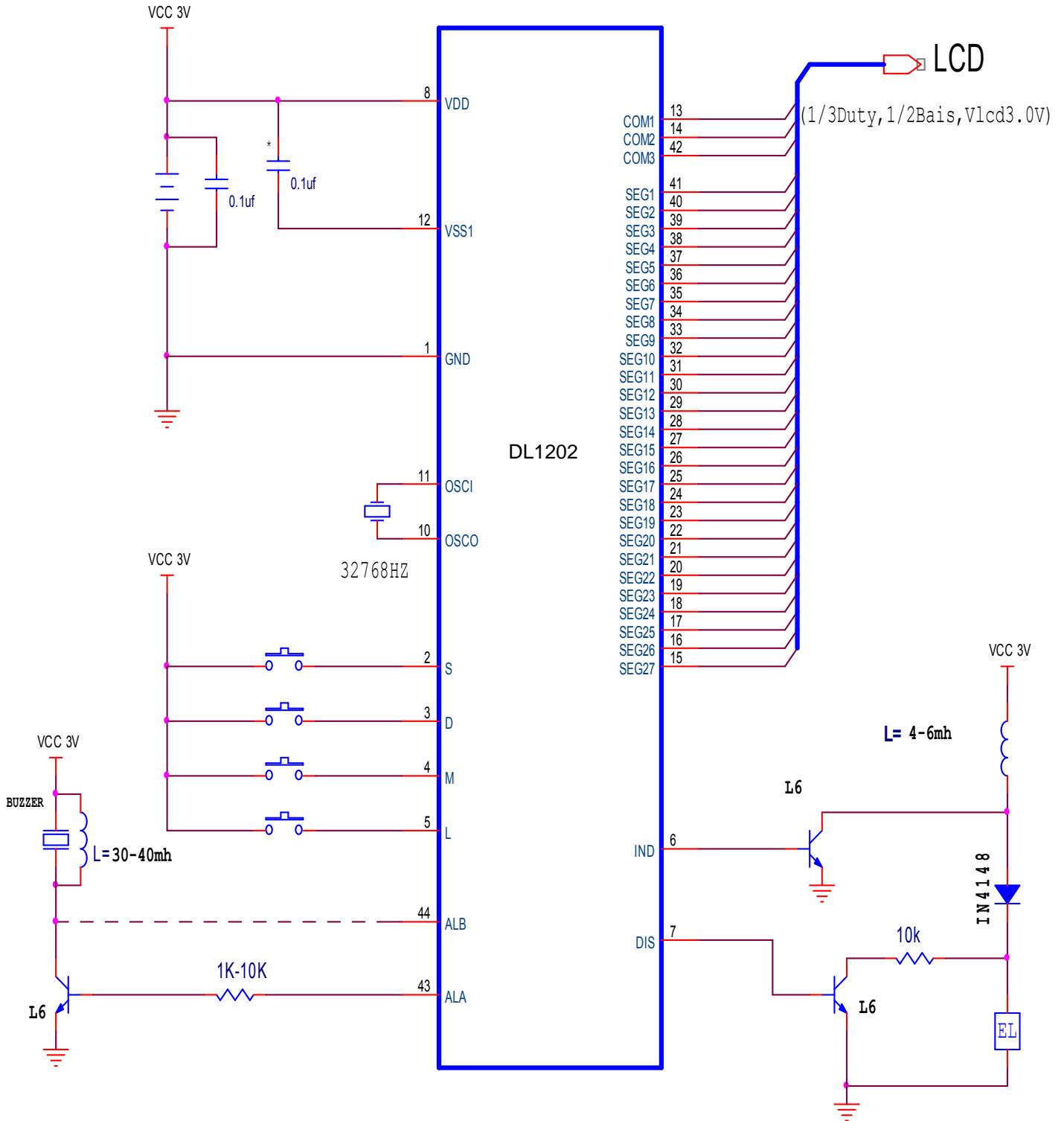
深圳市晶峰达电子科技有限公司
东莞市琪芯电子有限公司

电话:13798528768,0769-81555915 传真:85338927
邮箱:info@jfd-ic.com, QQ:1873357672
网址:www.jfd-ic.com 微信:dgqxdz
Skype:junfuyu 阿里旺旺:晶峰达电子科技

DL1202

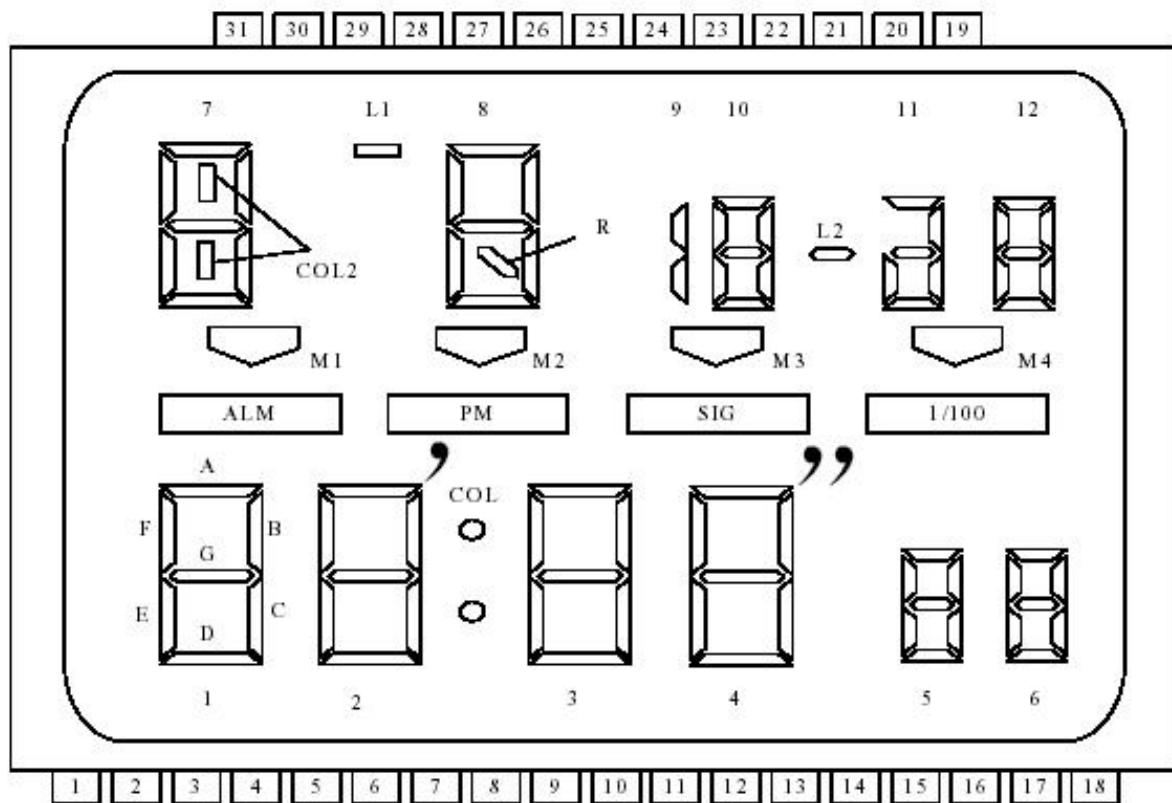
DL1202 PAD 图, IC 尺寸 1980um*1580um,IC 衬底必须接 VDD 或者悬空。







LCD DISPLAY



LCD 字段分配

	COM1	COM2	COM3
SEG1	F1	E1	A1/D1
SEG2	B1	G1	C1
SEG3	F2	E2	D2
SEG4	A2	G2	C2
SEG5	B2	COL	E3
SEG6	F3	G3	A3/D3
SEG7	B3	C3	E4
SEG8	F4	G4	D4
SEG9	A4	B4	C4
SEG10	F5	E5	D5
SEG11	A5	G5	C5
SEG12	B5	F6	E6
SEG13	A6	G6	D6

	COM1	COM2	COM3
SEG14	D12	B6	C6
SEG15	C12	G12	B12
SEG16	E12	F12	A12
SEG17	D10	C11	B11
SEG18	C10	E11	A11/D11/G11
SEG19	L2	B10	A10
SEG20	E10	G10	F10
SEG21	D8	C8	B9/C9
SEG22	R8	G8	B8
SEG23	' / "/M4	E8/F8	A8
SEG24	D7	C7	L1
SEG25	G7	B7	A7
SEG26	E7	COL2	F7
SEG27	M3	M2	M1



如做LED背光，可参考以下电路：

